

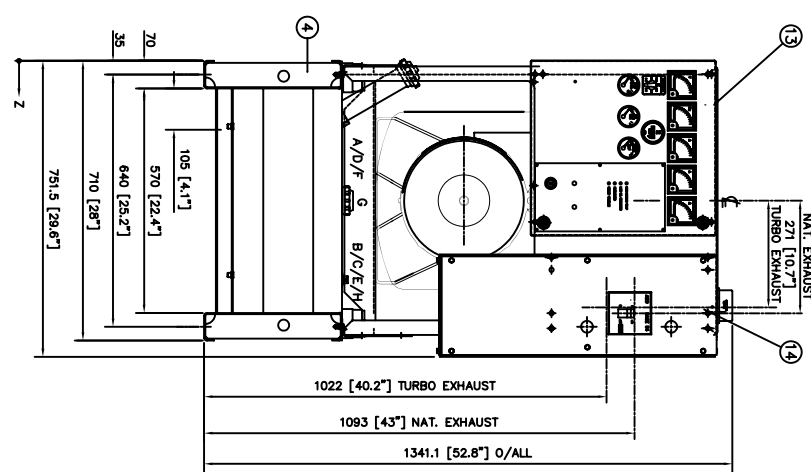
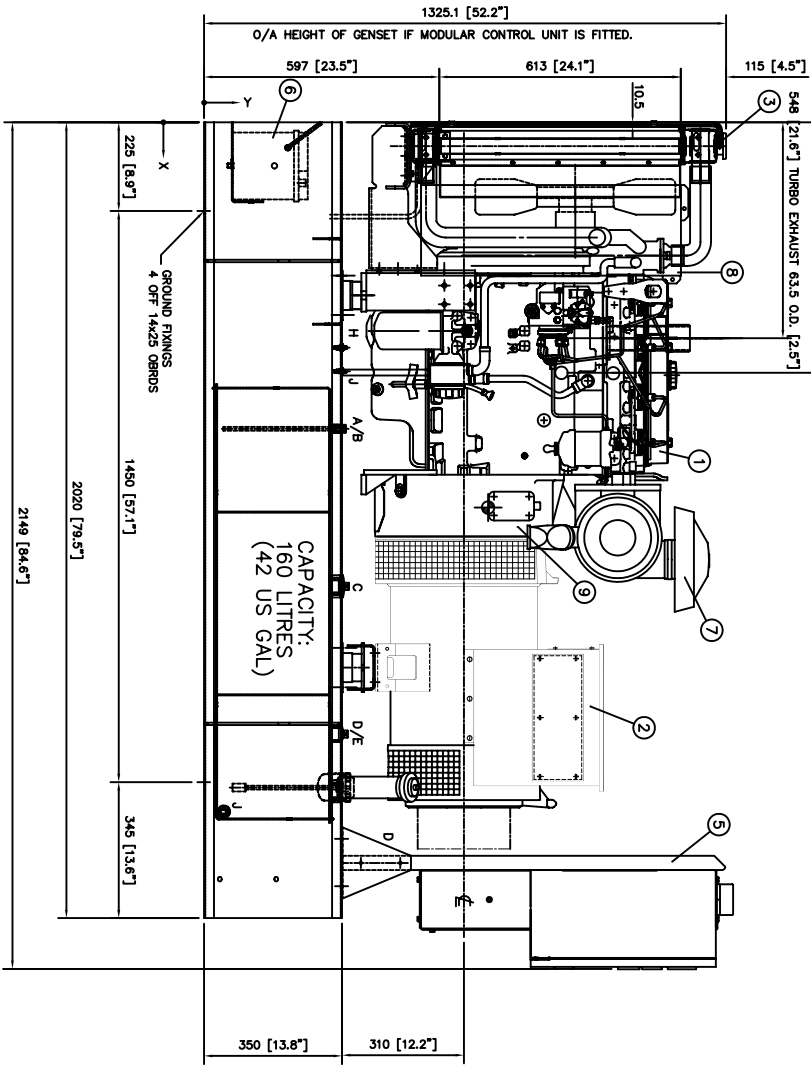
ITEM QTY.	DESCRIPTION	DIM X	DIM Y	DIM Z
A 1	3/8" BSP SOCKET	778	350	185
B 1	3/8" BSP SOCKET	778	350	555
C 1	1" BSP SOCKET	1178	350	555
D 1	1" BSP SOCKET	1553	350	155
E 1	1 1/2" BSP SOCKET	1553	350	555
F 1	2" BSP SOCKET	1698	350	155
G 1	1 1/2" BSP SOCKET	1698	350	355
H 1	1" BSP SOCKET	1698	350	555
J 1	3/4" BSP SOCKET	1750	50	67

TANKBASE FITTINGS

GENSET	WEIGHT (kg)	CENTRE OF GRAVITY
(WITH OIL)	(WITH OIL & WATER)	DIM X DIM Y
ENGINE/ALTERNATOR		
1004G/L1014S	755	842 721
1004G/L12014B	810	830 876
1004G/L12014C	820	840 882
1004G/L12014D	830	850 888
1004G/L12014H	880	900 924
1004G/L12014J	920	940 952
1004T02/L12014C	820	840 894
1004T02/L12014D	830	850 900
1004T02/L12014H	880	900 936
1004T02/L12014J	920	940 953
1004T02/L13014B	985	1005 988
1004K0P/L12014B	840	860 898
1004K0P/L12014D	880	890 910
1004K0P/L12014H	910	930 944
1004-407/L12014D	863	883 905
1004-407/L12014H	913	933 939
1004-407/L12014J	953	973 965
1004-407M/L12014J	957	977 960
1004-407M/L13014B	1022	1042 985

NOTE: WEIGHTS AND C.G. TO BE CONFIRMED

ITEM QTY.	DESCRIPTION	DWG./PART No.	ITEM QTY.	DESCRIPTION	DWG./PART No.
15	1 LVI - LUBE OIL DRAIN ASSY.	MSS2880	1	ENGINE	MSS3873
16	1 W1 - COOLANT DRAIN ASSY.	MSS2917	2	ALTERNATOR	MSS3873
17a	1 DECAL ARR. - (Universal Label)	MSS3055	3	RADIATOR ASSEMBLY	MSS3448
17b	1 DECAL ARR. - (B & W Label)	MSS3062	4	BASERFRAME ASSY.	MSS3501
18a	1 DECAL ARR. - (OILY Label)	MSS3064	5	PANEL STAND ASSY. (IF FITTED)	MSS3449
18b	1 DECAL ARR. - (OMA Label)	MSS3084	6	BATTERY TRAY ASSEMBLY	MSS2484
19a	1 CEC GUARDS 1004G	MSS3691	7	AIR FILTER ASSEMBLY	MSS3687
19b	1 CEC GUARDS 1004T02	MSS2912	8	SPLIT FAN GUARD ASSEMBLY	MSS3311
* - NOT SHOWN					
9	1 COUPLING ARRANGEMENT	MSS2930	10	FUEL LINE ARRANGEMENT	MSS2930
11	1 ENGINE INTERFACE MODULE UPFIT	MSS2414	11	ENGINE INTERFACE MODULE UPFIT	MSS2414
12	1 SENDERS & SENSORS UPFIT	MSS4428	12	SENDERS & SENSORS UPFIT	MSS4428
13	1 CONTROL PANEL (IF FITTED)		13	CONTROL PANEL (IF FITTED)	
14	1 CIRCUIT BREAKER (IF FITTED)		14	CIRCUIT BREAKER (IF FITTED)	



ITEM QTY.	DESCRIPTION	REV/DATE	BY
1	ISSUE	0	BY
2	ISSUE	1	BY
3	ISSUE	2	BY
4	ISSUE	3	BY
5	ISSUE	4	BY
6	ISSUE	5	BY
7	ISSUE	6	BY
8	ISSUE	7	BY
9	ISSUE	8	BY
10	ISSUE	9	BY

REV	DATE	BY	DESCRIPTION
0	30/03/00	C.H.	ISSUE
1	30/03/00	C.H.	ISSUE
2	30/03/00	C.H.	ISSUE
3	30/03/00	C.H.	ISSUE
4	30/03/00	C.H.	ISSUE
5	30/03/00	C.H.	ISSUE
6	30/03/00	C.H.	ISSUE
7	30/03/00	C.H.	ISSUE
8	30/03/00	C.H.	ISSUE
9	30/03/00	C.H.	ISSUE

REV	DATE	BY	DESCRIPTION
0	30/03/00	C.H.	ISSUE
1	30/03/00	C.H.	ISSUE
2	30/03/00	C.H.	ISSUE
3	30/03/00	C.H.	ISSUE
4	30/03/00	C.H.	ISSUE
5	30/03/00	C.H.	ISSUE
6	30/03/00	C.H.	ISSUE
7	30/03/00	C.H.	ISSUE
8	30/03/00	C.H.	ISSUE
9	30/03/00	C.H.	ISSUE

REV	DATE	BY	DESCRIPTION
0	30/03/00	C.H.	ISSUE
1	30/03/00	C.H.	ISSUE
2	30/03/00	C.H.	ISSUE
3	30/03/00	C.H.	ISSUE
4	30/03/00	C.H.	ISSUE
5	30/03/00	C.H.	ISSUE
6	30/03/00	C.H.	ISSUE
7	30/03/00	C.H.	ISSUE
8	30/03/00	C.H.	ISSUE
9	30/03/00	C.H.	ISSUE

REV	DATE	BY	DESCRIPTION
0	30/03/00	C.H.	ISSUE
1	30/03/00	C.H.	ISSUE
2	30/03/00	C.H.	ISSUE
3	30/03/00	C.H.	ISSUE
4	30/03/00	C.H.	ISSUE
5	30/03/00	C.H.	ISSUE
6	30/03/00	C.H.	ISSUE
7	30/03/00	C.H.	ISSUE
8	30/03/00	C.H.	ISSUE
9	30/03/00	C.H.	ISSUE